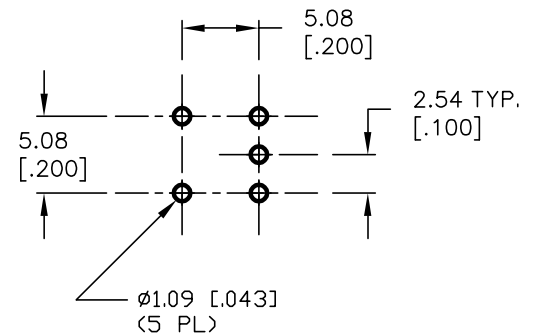
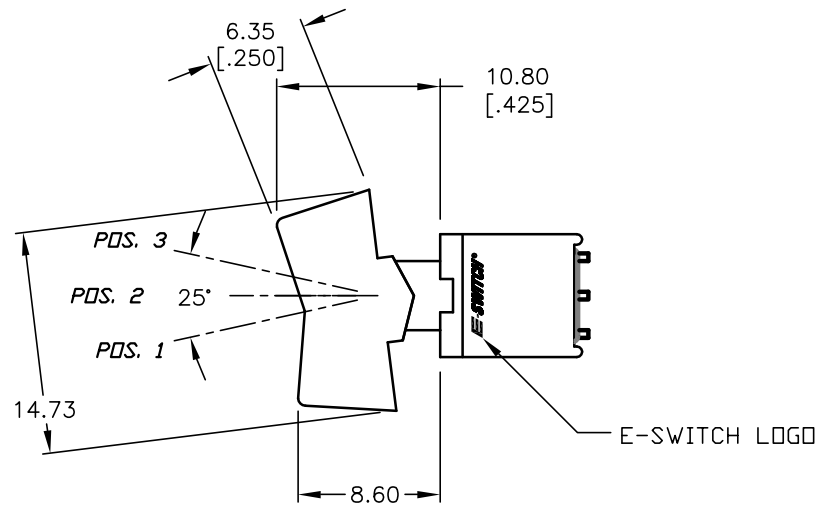


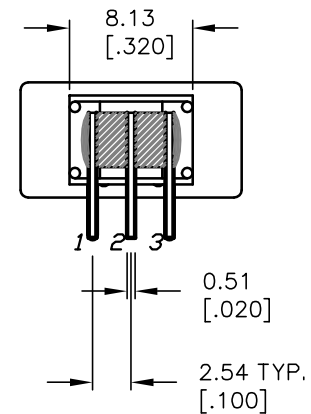
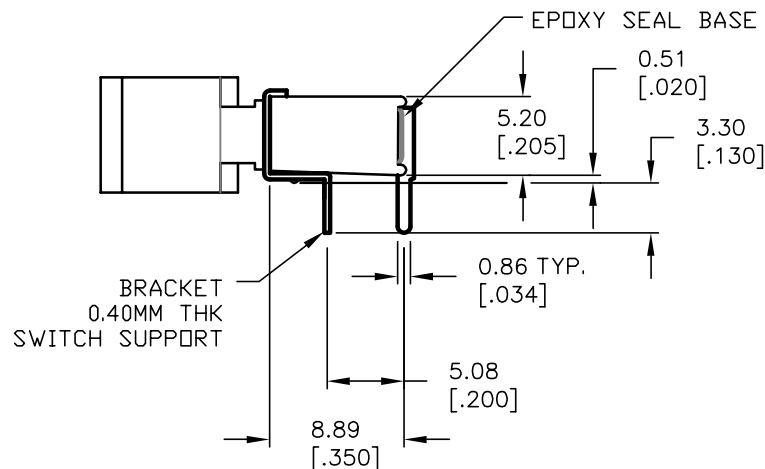
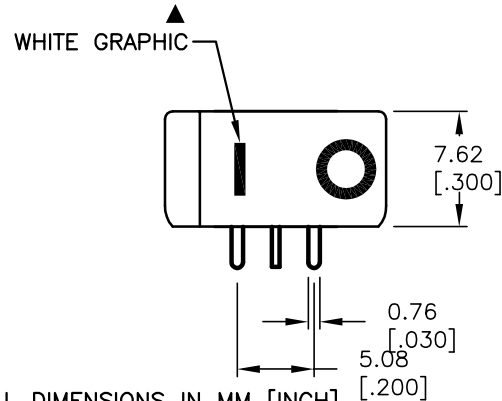
CIRCUIT: SPDT

CONTACT CONFIGURATION

SWITCH FUNCTION		
PDS. 1	PDS. 2	PDS. 3
DN	NONE	DN
2-3	OPEN	2-1



RECOMMENDED P.C.B. LAYOUT



NOTES:

1. ALL DIMENSIONS IN MM [INCH]
2. GENERAL TOLERANCE: X.X=±0.4
X.XX=±0.25
3. TERM. NOS. FOR REF. ONLY
4. RATING: 0.4VA @20V max (AC or DC)
- ▲ 5. FIXED TERMINAL/MOVING CONTACT MATERIAL:
COPPER ALLOY w/GOLD PLATE over Silver plate.
6. ELECTRIC LIFE: 30,000 make-and-break cycles
at full load.
7. INSULATION RESISTANCE: 1,000 M ohm min.
8. DIELECTRIC STRENGTH: 1,000 V RMS @sea level.
9. OPERATING TEMP. -30°C to +85°C
- ▲10. ACTUATOR: NYLON, BLACK STD.
11. ▲ DENOTES CRITICAL PARAMETER.

E-SWITCH®

A	14308	RELEASED FOR PRODUCTION	9/10/04	AR
REV.	ECN No.	DESCRIPTION	DATE	CHKD

TITLE				
400AWMSP1R1BLKM6RE I/O MARKING				
SCALE	DATE	DR	DWG	REV
2:1	9/10/04	AR	T403112	A

THE INFORMATION CONTAINED IN THIS DOCUMENT IS PROPRIETARY TO E-SWITCH AND IS NOT TO BE COPIED OR TRANSFERRED